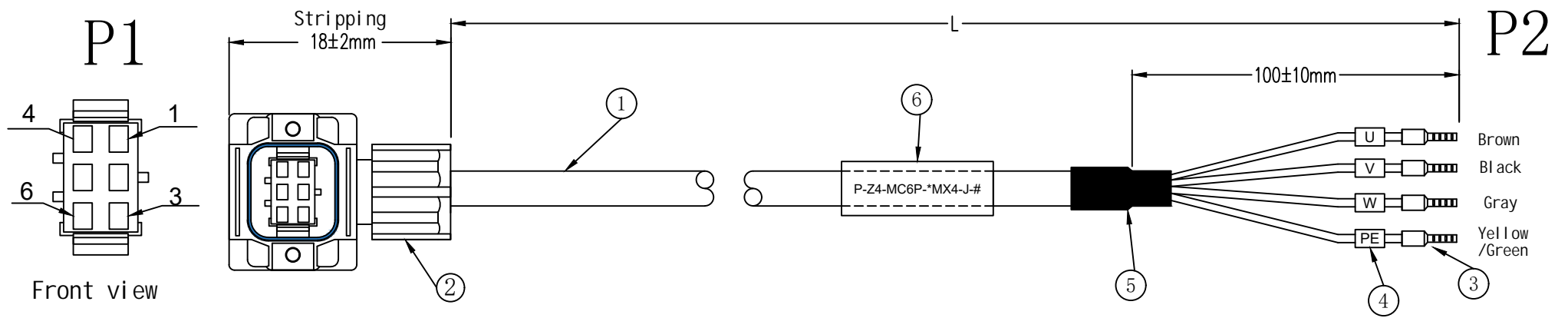


序号	制作人	日期	版次	内容
1	曾瑜	2025.06.21	A	首次发行
2	曾瑜	2025.06.21	B	电机端2脚位和3脚位调换



I. Wiring Table

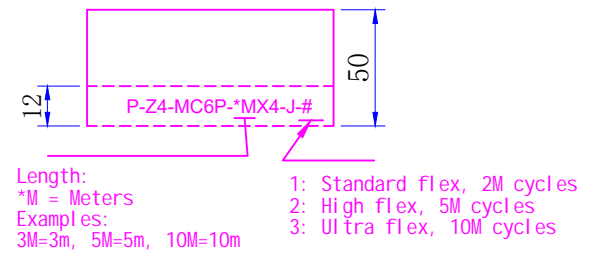
P1	Color	Marker	P2
1	Brown	U	E terminal
3	Black	V	E terminal
2	Gray	W	E terminal
4	Yellow /Green	PE	E terminal

II. Test Conditions:

- 100% Open & Short Circuit Test
- Withstand Voltage Test: DC 300V
- Continuity Impedance: <5
- Insulation Resistance: 300 M

III. Assembly Requirements:

- P2 terminal crimp free of deformation, crack or stray wires.
- Fit heat shrink tube before P1 assembly; wire shall not slip after locking.
- Thread serrated marker tube by wire color before crimping; no missing/wrong threading.



IV. Packaging:

- Coil dimension: 120±20 mm, then secure with black cable ties;
- Place the coiled cable into a PE zipper bag.

0<L≤1000mm	±20	3000<L≤5000mm	±60	10000<L≤15000mm	±200
1000<L≤3000mm	±40	5000<L≤10000mm	±100	15000<L≤20000mm	±300

6	Label: 50×12×35, t0.03, white opaque PET sticker	1	PCS
5	Heat shrink tube, ID8.0, heavy-wall 600V, black	1	PCS
4	Marker tube, ID1.0, L15mm, PVC serrated, print U,V,W,PE	4	PCS
3	Terminal: EV7508 E-terminal, red insulator	4	PCS
2	Connector: SC-MC6S-AB20-00	1	PCS
1	Cable 4C×0.3mm ² , OD5.0, ultra-flex 10M cycles, orange	X	M
	Cable 4C×0.3mm ² , OD5.0, high-flex 5M cycles, orange	X	M
	Cable 4C×0.3mm ² , OD5.0, standard-flex 2M cycles, black	X	M

NO.	DESCRIPTION	Q'TY	UNIT
1			
2			
3			
4			

维控科技

日期: 2025.10.21 Unit: mm 版次: B 页次: 1/1

Model: P-Z4-MC6P-*MX4-J-#

Spec: Low-power cable, SC-MC6S-AC20-00 TO 4E terminal 4C*0.30mm²

绘图: 曾瑜 校对: 审核: 审核: 审核: